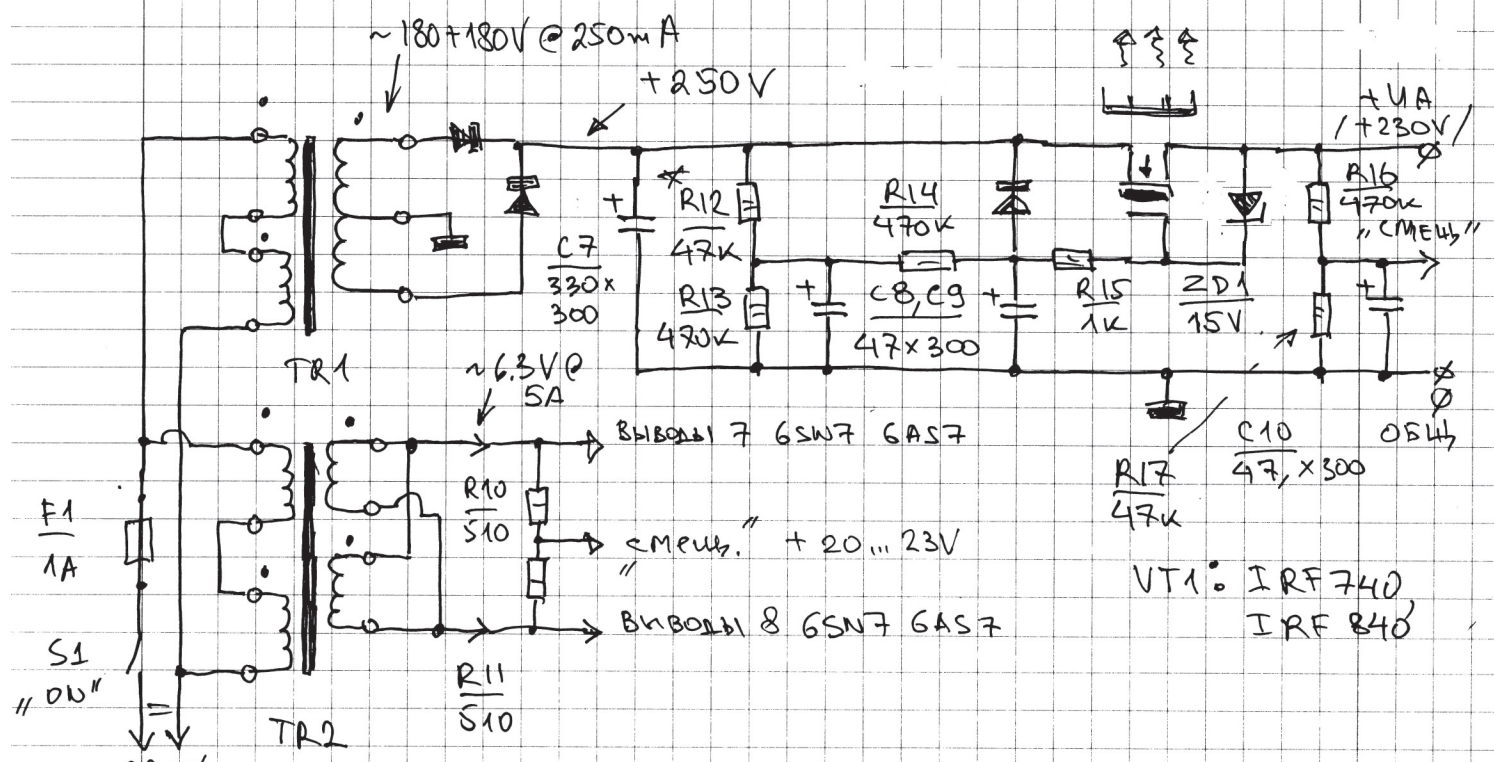


$K_u \approx 14$  FC  
 $T1: 6SN7$   
 $T2: 6AS7$   
 $K_u \approx 0.5$   
 $R_o \approx 100 \Omega$   
 $U_{BUX \max} \approx 3.2 \text{ BRMS} (R_H = 300 \Omega)$

$K_u = 14 \cdot 0.5 = 7$   
 $U_{BUX \max} (\text{RMS}) = 0.5 \text{ B}$   
 $U_{BUX \max} (\text{RMS}) \approx 3.5 \text{ B} (R_H = 300 \Omega)$



$VT1: IRF740$   
 $IRF840$